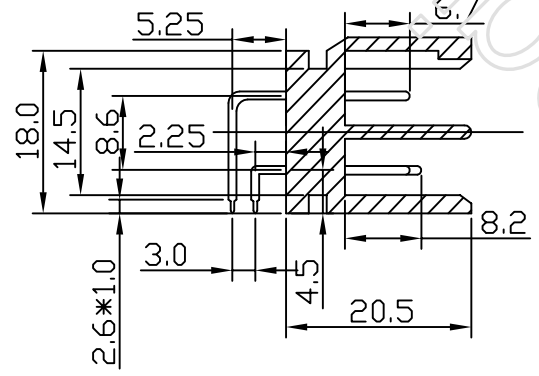
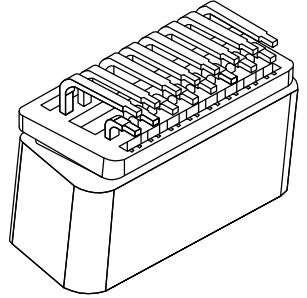
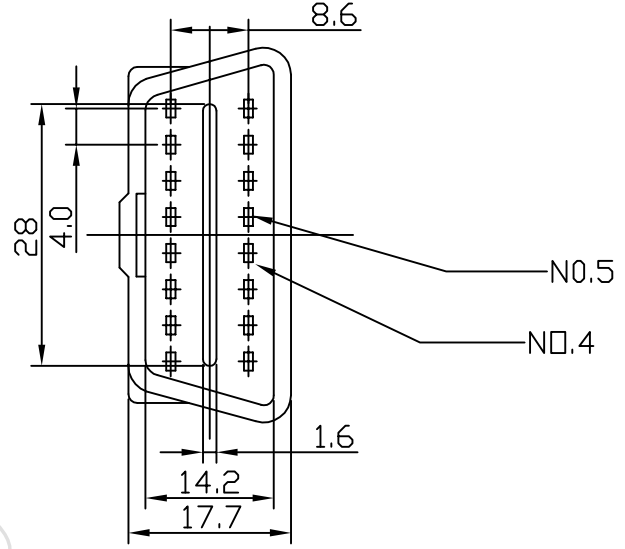
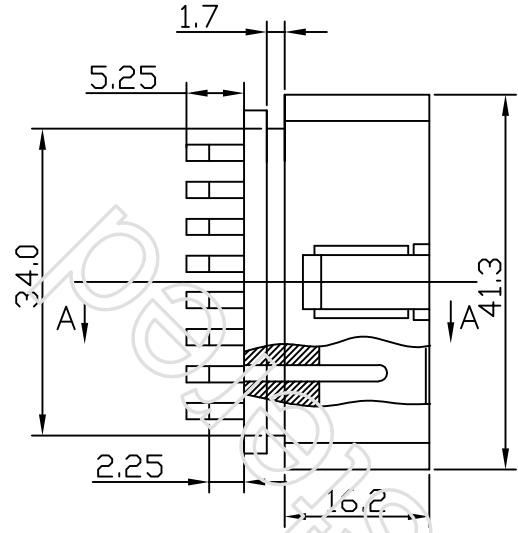
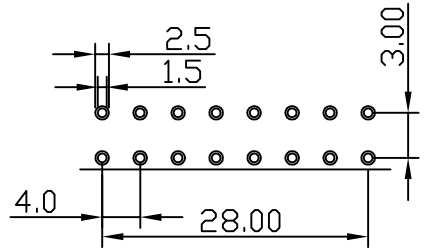


REVISION			
NO.	DESCRIPTION	DATE	REV.



Electrical Performance

1. Dielectric Strength: 1000V AC/1 Minute.
2. Contact resistance: 100 m Ohm MAX.
3. Insulation Resistance: 500VDC, 100M Ohm Min.

Rating and Application Wire:

1. Rated Voltage: 30V MAX
2. Rated Current: 5Amps, Wire Insulation O.D: $\phi 1.2 \sim \phi 2.6$
2. Ambient Temperature Range: $-40^{\circ}\text{C} \sim +85^{\circ}\text{C}$

Notes:

1. Housing Material: PBT, 94V-0, Color: Black
2. The Pin 4 & PIN 5 Are 8.2mm High Out of The Plastic, All of the rest pins are 6.7mm. The pin 0.8*1.55
3. General Tolerance: $\pm 0.3\text{mm}$
4. Needle material: brass, under plate: nickel.
5. Electroplating: gold-plated, gold-plated thickness: 3U, nickel bottom 30U

A-A Section

COMTECH ELECTRONIC CO., LTD				
	UNIT: mm	TITLE: C-OBd-II-16M(90°)		
DRAWN BY	DATE	CUSTOMER		CUSTOMER P/N
CHECKED BY	DATE	PART NO.	SAMPLE NO.	REV. A
APPROVED BY	DATE	FILE NO:		
SALE BY	DATE			